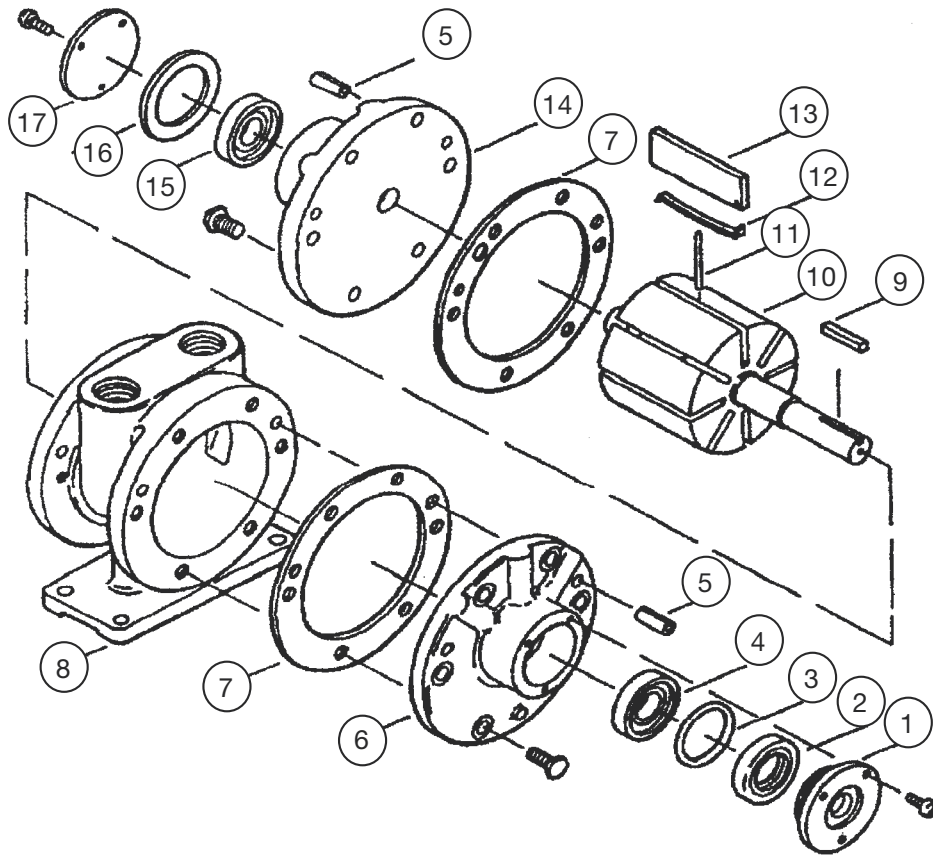


## SP-A6FP SERIES SPARE PARTS



ITEM NUMBER	DESCRIPTION	QUANTITY	PART NUMBER
<b>Service kit</b> – only service kits are available for parts replacement			
		1	<b>K281A</b>
* Denotes parts included in the Service Kit			
1	End cap, drive end	1	<b>AC998</b>
2*	Shaft seal	1	<b>AK423</b>
3*	'O'-ring	1	<b>AC989</b>
4*	Bearing, drive end	1	<b>AC894B</b>
5	Dowel pin	4	<b>AB162C</b>
6	End plate, drive	2	<b>AK535</b>
7*	Body gasket	2	<b>AD641</b>
8	Body	1	<b>AD665D</b>
9	Key	1	<b>AK422</b>
10	Rotor assembly	1	<b>AD648E</b>
11*	Push pin	2	<b>AD655A</b>
12*	Vane, spring	4	<b>(8)AD692</b>
13*	Vane	4	<b>AD691</b>
14	End plate, dead	1	<b>AD651</b>
15*	Bearing, dead end	1	<b>AB519</b>
16*	End cap, gasket	1	<b>AD644</b>
17	End cap, dead end	1	<b>AD643</b>
	Muffer assembly	1	<b>AC990</b>
	Felt	1	<b>AC993</b>