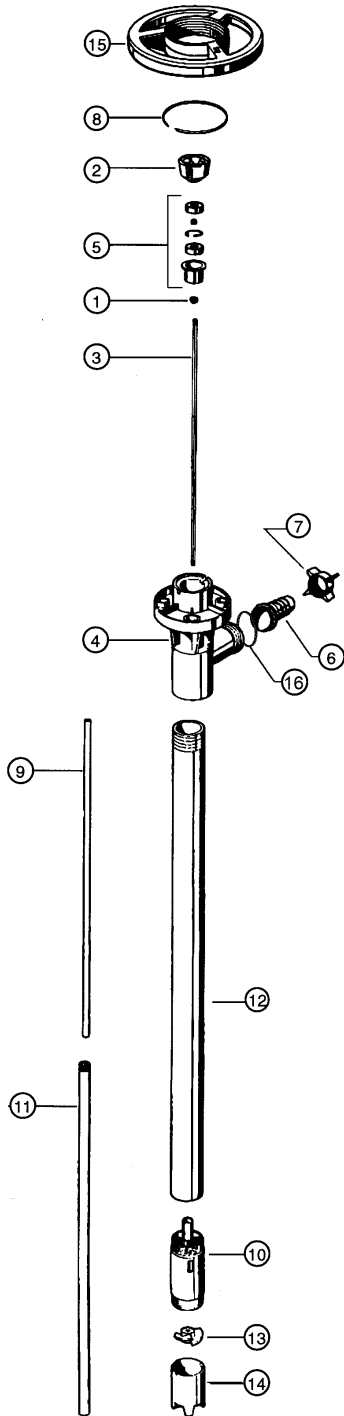


POLYPROPYLENE PUMP TUBE SERIES



| ITEM NUMBER | DESCRIPTION | PART NUMBER |
|-------------|--|-------------|
| 1 | V-seal - Viton | 1000 |
| 2* | Pump coupling | 1004 |
| 3 | Drive shaft, 27" (700 mm) | 1543 |
| | 39" (1000 mm) | 1544 |
| | 47" (1200 mm) | 1545 |
| | 50" (1270mm) | 1549 |
| | 60" (1400 mm) | 1546 |
| | 72" (1800 mm) | 1547 |
| 4 | Discharge housing | 1028 |
| 5* | Bearing unit assembled - 2 each | 1038 |
| | Viton shielded bearings, spacer, | |
| 6 | snap ring, bearing can | |
| | Hose barb, 3/4" (22 mm) | 1051 |
| 7 | 1" (25 mm) | 1082 |
| 8* | Wing nut | 1106 |
| 9 | Snap ring | 1508 |
| | Guide sleeve - TFE | |
| | 27" (700 mm), 39" (1000 mm), 47" (1200 mm) | 1514 |
| 10 | 60" (1500 mm), 72" (1800 mm) | 1661 |
| 11 | Pump housing includes carbon bushing | 1524 |
| | Inner tube, 27" (700 mm) | 1600 |
| | 39" (1000 mm) | 1601 |
| | 47" (1200 mm) | 1602 |
| | 50" (1270 mm) | 1623 |
| | 60" (1400 mm) | 1615 |
| | 72" (1800 mm) | 1616 |
| 12 | Outer tube, 27" (700 mm) | 1604 |
| | 39" (1000 mm) | 1603 |
| | 47" (1200 mm) | 1605 |
| | 50" (1270 mm) | 1624 |
| | 60" (1400 mm) | 1617 |
| | 72" (1800 mm) | 1618 |
| 13 | Impeller | 1608 |
| | High pressure impeller | 4608 HH |
| 14 | Pump foot | 1609 |
| | High pressure pump foot | 1609 HH |
| 15* | Hand wheel | 1842 |

! *Parts interchange with all pump tubes.
Polypropylene pumps should not be used to pump flammables.