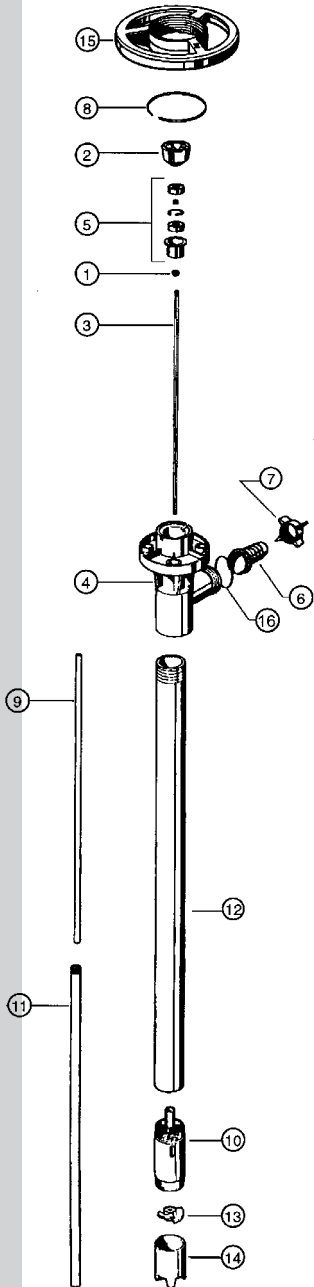


CPVC PUMP TUBE SERIES



ITEM NUMBER	DESCRIPTION	PART NUMBER
1	V-seal - TFE	4000
2*	Pump coupling	1004
3	Drive shaft 27" (700 mm)	1543
	39" (1000 mm)	1544
	47" (1200 mm)	1545
	50" (1270mm)	1549
	60" (1400 mm)	1546
	72" (1800 mm)	1547
4	Discharge housing	5028
5*	Bearing unit assembled - 2 each	1038
	Viton shielded bearings, spacer,	
6	snap ring, bearing can	
	Hose barb, 3/4" (22 mm)	5051
7	1" (25 mm)	5082
8*	Wing nut	5106
9	Snap ring	1508
	Guide sleeve - TFE	
	27" (700 mm), 39" (1000 mm), 47" (1200	1514
10	mm) 60" (1500 mm), 72" (1800 mm)	1661
11	Pump housing includes carbon bushing	5524
	Inner tube, 27" (700 mm)	5600
	39" (1000 mm)	5601
	47" (1200 mm)	5602
	50" (1270mm)	5623
12	60" (1400 mm)	5615
	72" (1800 mm)	5616
	Outer tube, 27" (700 mm)	5604
	39" (1000 mm)	5603
	47" (1200 mm)	5605
	50" (1270mm)	5624
	60" (1400 mm)	5617
	72" (1800 mm)	5618
13	Impeller	5608
	High pressure impeller	4608 HH
14	Pump foot	5609
	High pressure pump foot	5609 HH
15*	Hand wheel	1842

*Parts interchange with all pump tubes.



CPVC pumps should not be used to pump flammables.